

The Core Memory Project

801-0002676	D	A D	ALL	BOARD - PLUG IN CONTROL (A3)		B	2	4
801-0002202	P	D	ALL	SCHEMATIC DIAGRAM A3 CONTROL CARD		B	4	4
REASON FOR CHANGE: RFC NONE RELATED ER(S) NONE A PORTION OF THE 801-0002676 CONTROL CARDS OSCILLATE WHEN PLACED IN UNITS. * INCREMENTAL PRODUCT IMPROVEMENT					<input type="checkbox"/> COMPATIBILITY <input type="checkbox"/> MAJOR RELIABILITY <input type="checkbox"/> RELIABILITY <input checked="" type="checkbox"/> OTHER * <input type="checkbox"/> STD. PART CHANGE <input type="checkbox"/> IMMEDIATE DESIGN CHANGE <input type="checkbox"/> FIELD RETROFIT INTENDED			
DESCRIPTION OF CHANGE: 801-0002676: 1) ITEM 5 <u>WAS:</u> 5/4/A/007-9814058/CAPACITOR, CERAMIC DISC (.001 UF, .1KV) C1, C2, C4, C8 <u>NOW:</u> 5/3/A/007-9814058/CAPACITOR, CERAMIC DISC (.001 UF, 1KV) C1, C2, C4					CLASSIFICATION OF CHANGE <input type="checkbox"/> IC CHANGE <input type="checkbox"/> RECORDED IC CHANGE <input type="checkbox"/> NIC MANDATORY BREAK-IN (RECORD) <input type="checkbox"/> NIC NON-MANDATORY BREAK-IN (RECORD) <input type="checkbox"/> NIC NON-MANDATORY BREAK-IN (DO NOT RECORD) <input checked="" type="checkbox"/> NIC BEING DOCUMENTED AS IC SERVICE INTERCHANGEABILITY CODE A - NON-INTERCHANGEABLE B - NEW WILL SERVICE OLD ONLY C - INTERCHANGEABLE D - NOT APPLICABLE APPROVED BY FIELD ENGINEERING			
NOTE: 44-001424 IS THE FIRST UNIT USING THE 801-0002676 BOARD.								
STOCK DISPOSITION CODE: 1-USE UP 2-REWORK 3-SCRAP 4-NOT AFFECTED 5-OTHER (EXPLAIN)								
APPROVALS					UNIT/MODULE	CHG. NO.	CHANGE EFFECTIVITY	
AUTH	PRELIM	DATE	FINAL	DATE				
FLM					432-01-607-000-44	012	44-001424 SUP	
LM	008	5/5/77						
NIC	016	5/5/77						
IF	14	5/4/77						
					ENGR.	J. GUINN		

1A*	26		3-F4	ADAPTERS (BUSSED)
.V*		229	3-E1	PROCESSOR 2
.VA*		29	3-E4	ADAPTERS (BUSSED)
.V*		231	3-E1	PROCESSOR 2
.VA*	31		3-E4	ADAPTERS (BUSSED)
.V*		234	3-D1	PROCESSOR 2
.VA*	34		3-D4	ADAPTERS (BUSSED)
.V*		236	3-D1	PROCESSOR 2
.VA*	36		3-D4	ADAPTERS (BUSSED)
.V*		239	3-C1	PROCESSOR 2
.VA*	39		3-C4	ADAPTERS (BUSSED)
.V*		241	3-C1	PROCESSOR 2
.VA*	41		3-C4	ADAPTERS (BUSSED)
.V*		244	3-B1	PROCESSOR 2
.VA*	44		3-B4	ADAPTERS (BUSSED)
.V*		249	6-F6	PROCESSOR 2
1.VA*	71		4-E11	ADAPTER 1
2.VA*	286		4-D11,6-F9	ADAPTER 2
3.VA*	85		4-C11,6-F9	ADAPTER 3
4.VA*	84		4-C11,6-F9	ADAPTER 4
5.VA*	281		4-B11,6-F9	ADAPTER 5
6.VA*	81		4-B11,6-F9	ADAPTER 6
7.VA*	76		4-A11,6-F9	ADAPTER 7
8.VA*	276		4-A11,6-F9	ADAPTER 8
.V*		213	4-G3	PROCESSOR 2
.V*		216	4-F3	PROCESSOR 2
.V*		220	4-F3	PROCESSOR 2
*	203		3-G11	PROCESSOR 1

The Core Memory Project

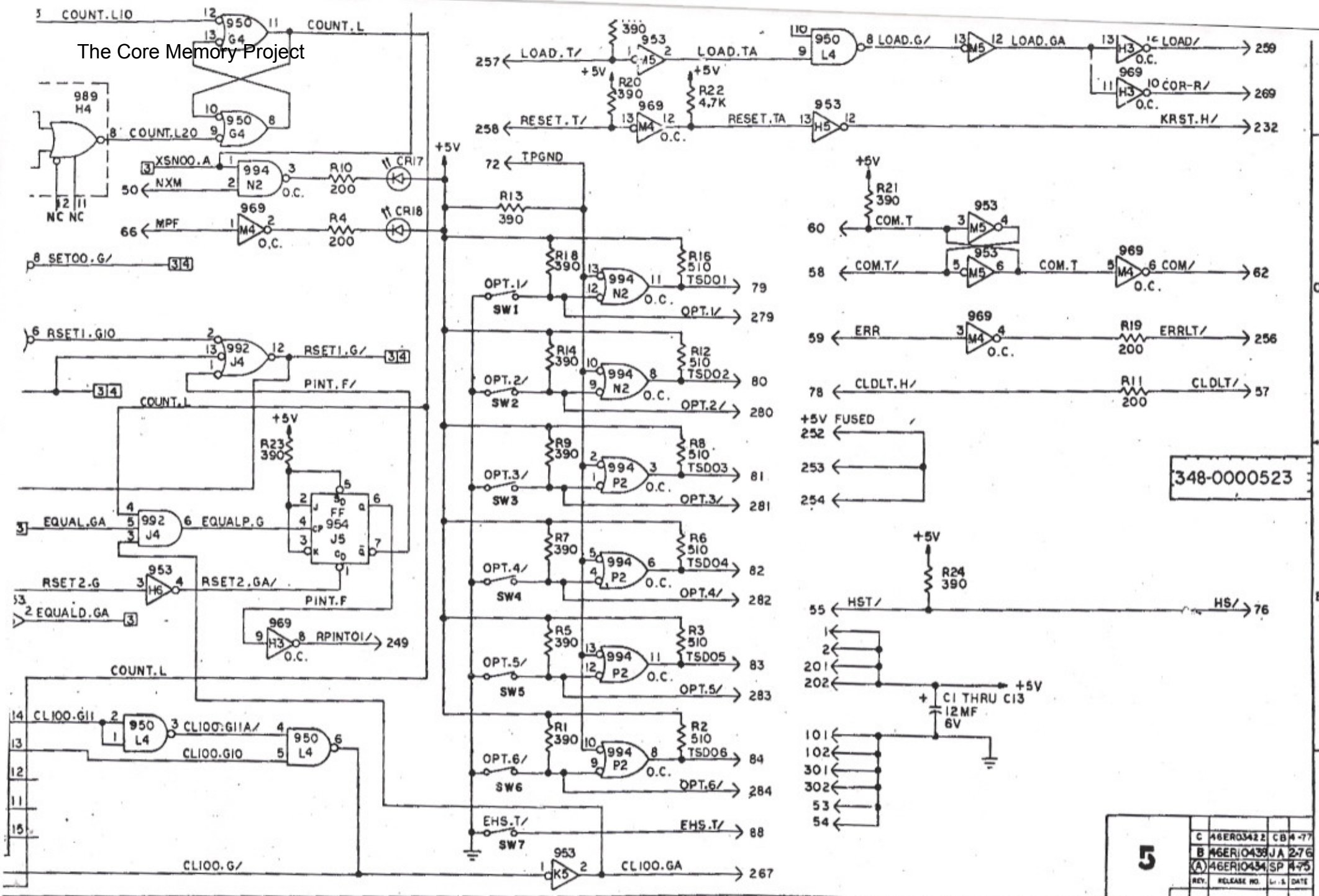
SD2.VA*		5	3-F9	ADAPTERS (BUSSED)
SD3.V*	207		3-F11	PROCESSOR 1
SD3.VA*		7	3-F9	ADAPTERS (BUSSED)
SD4.V*	209		3-F11	PROCESSOR 1
SD4.VA*		9	3-F9	ADAPTERS (BUSSED)
SD5.V*	211		3-E11	PROCESSOR 1
SD5.VA*		11	3-E9	ADAPTERS (BUSSED)
SD6.V*	215		3-E11	PROCESSOR 1
SD6.VA*		15	3-E9	ADAPTERS (BUSSED)
SD7.V*	219		3-D11	PROCESSOR 1
SD7.VA*		19	3-D9	ADAPTERS (BUSSED)
SD8.V*	223		3-D11	PROCESSOR 1
SD8.VA*		23	3-D9	ADAPTERS (BUSSED)
SD9.V*	225		3-D11	PROCESSOR 1
SD9.VA*		25	3-D9	ADAPTERS (BUSSED)
SD10.V*	228		3-C11	PROCESSOR 1
SD10.VA*		28	3-C9	ADAPTERS (BUSSED)
SD11.V*	230		3-C11	PROCESSOR 1
SD11.VA*		30	3-C9	ADAPTERS (BUSSED)
SD12.V*	233		3-B11	PROCESSOR 1
SD12.VA*		33	3-B9	ADAPTERS (BUSSED)
SD13.V*	235		3-B11	PROCESSOR 1
SD13.VA*		35	3-B9	ADAPTERS (BUSSED)
SD14.V*	238		3-A11	PROCESSOR 1
SD14.VA*		38	3-A9	ADAPTERS (BUSSED)
SD15.V*	240		3-G7	PROCESSOR 1
SD15.VA*		40	3-G5	ADAPTERS (BUSSED)
SD16.V*	243		3-F7	PROCESSOR 1

315-0531735

1

M23	11	35	A	35E07599					
CLASS	MODEL	PLANT	REV	RELEASE NO.	QTY	DATE	CHECK	APPD	

The Core Memory Project



5	C 46ER03422 CBM-77
	B 46ER10438 JA 276
	(A) 46ER10434 SP 475
	REV. RELEASE NO. L.S. DATE

THIS DRAWING AND INFORMATION THEREON IS THE PROPERTY OF THE NATIONAL CASH REGISTER COMPANY AND ALL UNAUTHORIZED USE AND REPRODUCTION IS PROHIBITED.

STD. QUALITY SEE SP00413
 CLASS M23-25-607
 START 4-75 FINISH 4-75 UNIT: 607 PROCESSOR
 NTC: CD ICHK: NAME: SCHEMATIC-LOGIC

NCR THE NATIONAL CASH REGISTER CO.
 WICHTIA, ILLINOIS